

Mounting instructions

for non automatic hook couplings RINGFEDER **type 65**
sizes 125, 135, 140, 145 ,150

- 1) Remove protecting cap (44), take off cotter pin (43), turn off castle nut (42), take off spring washer (41), tension washer (40) and rubber spring (36).
- 2) Pull out drawbar (1) with front rubber spring (36) and thrust washer (37).
- 3) Fit drawbar guide (38) from the inner side into the crossmember and tighten it using 4 hexagonal screws and 4 safety hexagonal nuts.

Tightening torque size 125,	M12-quality 8.8 , - 90 Nm.
Tightening torque size 135,	M14-quality 8.8 , -135 Nm
Tightening torque size 140 , 145	M16-quality 8.8 , -210 Nm
Tightening torque size 150,	M20-quality 8.8 , -410 Nm

- 4) Fit drawbar (1) with front rubber spring (36)and thrust washer (37) into mounted drawbar guide (25).
- 5) Fit rear rubber spring (36), tension washer (40) and spring washer (41).
- 6) Turn on castellated nut and tighten it with a tightening torque of min 250 Nm for size 125 ,min 350 Nm for size 135 and min 500 Nm for sizes 140 , 145 , 150 and secure it with the included cotter pin (43).

To reach the next hole position for the cotter pin even higher tightening torques may be required.

Then fit protecting cap (44).

Maintenance

The hook couplings RINGFEDER types 65 are nearly maintenance free.

The only wear parts are the rubber springs and the bearing bushes in the drawbar guide.

When the dimension A is less than 42 mm you have to change the coupling.

Control vertical bearing clearance of the drawbar (1) in the drawbar guide (38)

Should the clearance between drawbar shaft and bearing bush (39) exceed 1 mm, the plastic bearing bushes in the drawbar guide have to be replaced.

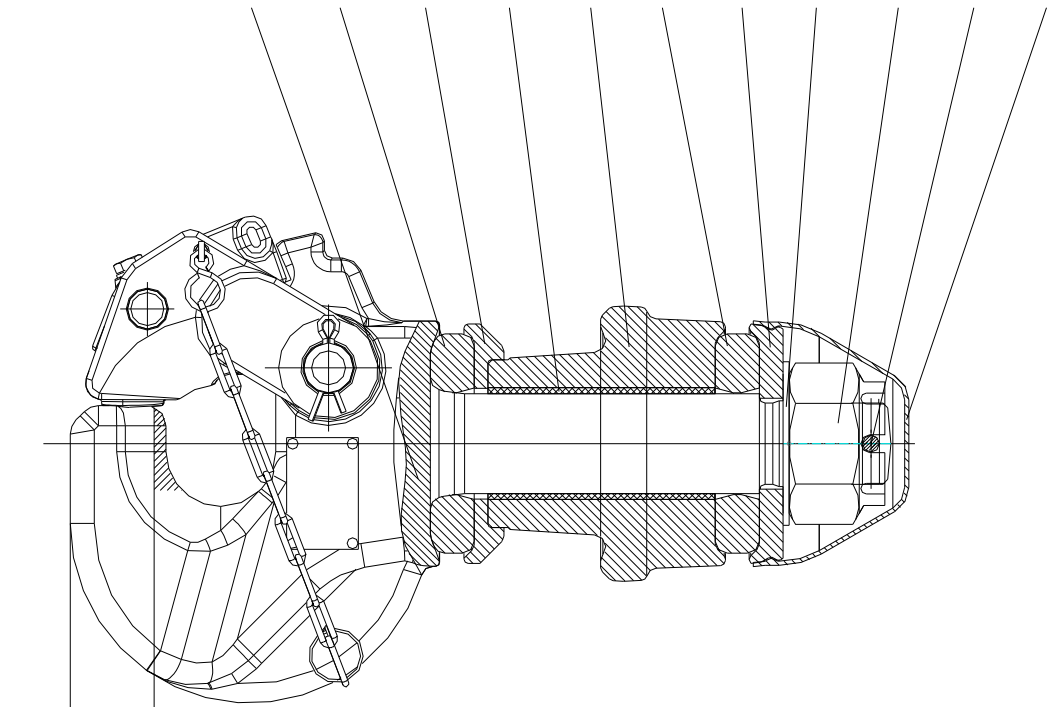
Control horizontal clearance of the coupling

The coupling must have no horizontal clearance. When you can move the coupling head in the vertical direction by hand you have to change the rubber springs immediately.

Important note:

To fix the castellated nut with a cotter pin attend to always using new, corrosion-resisting cotter pin. Moreover, when replacing component parts of the trailer coupling only Original RINGFEDER parts are to be used otherwise every guarantee is lost.

1 36 37 39 38 36 40 41 42 43 44



A
min 42 mm