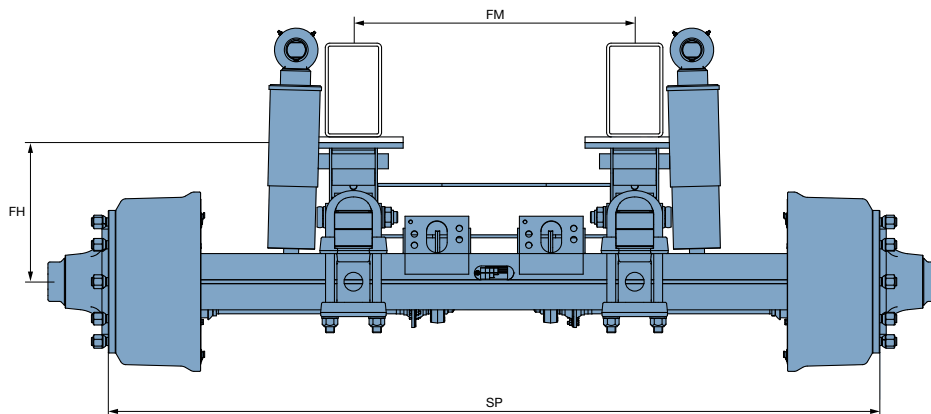


BPW Hydro-Pneumatic Suspension



Axle cross-section (mm)	Suspension type	Wheel brake	Track width SP (mm)	Spring centre FM (mm)	Ride height FH (mm)	Wheel connection	Static axle load (kg)		BPW code
							25 km/h	40 km/h	

Rigid Hydro-Pneumatic suspension

120 x 15	GSOH 11010	FL4112	2050	750	351	10/335/280 M22 x 1.5	11,000	10,000	56.88.08.0075
120 x 15	GSOH 11010	FL4112	2225	850	351	10/335/280 M22 x 1.5	11,000	10,000	56.88.08.0605
150 x 16	GSOH 12010	FL4118	2,050	750	371	10/335/280 M22 x 1.5	13,000	12,000	56.72.08.0506
150 x 16	GSOH 12010	FL4118	2,225	850	371	10/335/280 M22 x 1.5	13,000	12,000	56.72.08.0307
150 x 16	GSOH 14010	FL4118	2,200	850	393	10/335/280 M22 x 1.5	16,000	15,000	56.74.08.0008

Axle cross-section (mm)	Suspension type	Wheel brake	Track width SP (mm)	Spring centre FM (mm)	Ride height FH (mm)	Wheel connection	Static axle load (kg)		BPW code
							25 km/h	40 km/h	

Hydro-Pneumatic suspension with single cylinder steering axle

120 x 15	GSOHLA 11010	FL4112	2,050	750	351	10/335/280 M22 x 1.5	11,000	10,000	56.88.08.0608
120 x 15	GSOHLA 11010	FL4112	2,225	850	351	10/335/280 M22 x 1.5	11,000	10,000	56.88.08.0611
150 x 16	GSOHLL 12010	FL4118	2,050	750	365	10/335/280 M22 x 1.5	13,000	12,000	56.72.08.0608
150 x 16	GSOHLL 12010	FL4118	2,225	850	365	10/335/280 M22 x 1.5	13,000	12,000	56.72.08.0611
150 x 16	GSOHLL 14010	FL4118	2,200	850	393	10/335/280 M22 x 1.5	16,000	15,000	56.74.08.0007

Models listed above also available without brake on request