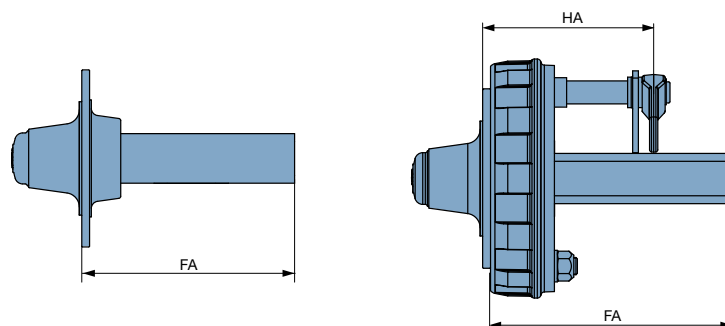


# BPW Stub Axles with Solid and Hollow Axle Beam



Axle cross-section (mm)	Axle type	Wheel brake	Flanch clearance FA (mm)	Slack Adjuster clearance HA (mm)	Wheel connection	Static axle load (kg)						BPW code
						25 km/h			40 km/h			

## Rigid unbraked stub axles

60	GS-ST 4006	-	300	-	6/205/160 M18 x 1.5	4,500	3,800	-	4,200	3,500	-	58.56.001.999
70	GS-ST 5506	-	300	-	6/205/160 M18 x 1.5	7,000	6,000	5,500	6,500	5,500	5,000	58.63.001.999
80	GS-ST 7008	-	350	-	8/220/275 M20 x 1.5	9,000	7,500	7,000	8,000	7,000	6,500	58.67.001.999
90	GS-ST 8008-3	-	350	-	8/220/275 M20 x 1.5	11,000	9,500	8,500	10,000	8,500	8,000	58.70.001.999
90	GS-ST 80010-3	-	350	-	10/335/280 M22 x 1.5	11,000	9,500	8,500	10,000	8,500	8,000	58.70.001.998
120 x 15	GS-ST 11010-1	-	735	-	10/335/280 M22 x 1.5	13,500	12,500	11,000	12,500	11,500	10,000	58.88.001.998-999
150 x 10	GS-ST 12010	-	785	-	10/335/280 M22 x 1.5	15,000	15,000	14,000	15,000	15,000	13,000	58.72.001.998-999
150 x 16	GS-ST 12010	-	785	-	10/335/280 M22 x 1.5	15,000	15,000	14,000	15,000	15,000	13,000	58.72.001.996-997
150 x 20	GS-ST 14010	-	785	-	10/335/280 M22 x 1.5	17,000	17,000	16,000	17,000	16,000	15,000	58.74.001.998-999

## Rigid braked stub axles

60	GS-ST 4006	N3006	350	238	6/205/160 M18 x 1.5	4,500	3,800	-	4,200	3,500	-	58.56.443.600
70	GS-ST 5506	N3006	350	238	6/205/160 M18 x 1.5	7,000	6,000	5,500	6,500	5,500	5,000	58.63.443.600
80	GS-ST 7008	N3108	350	238	8/220/275 M20 x 1.5	9,000	7,500	7,000	8,000	7,000	6,500	58.67.454.601
90	GS-ST 8008-1	N3108	350	238	8/220/275 M20 x 1.5	11,000	9,500	8,500	10,000	8,500	8,000	58.70.454.600
120 x 15	GS-ST 11010-1	FL 4112	735	358	10/335/280 M22 x 1.5	13,500	12,500	11,000	12,500	11,500	10,000	58.88.460.115-116
150 x 10	GS-ST 12010	FL 4118	785	388	10/335/280 M22 x 1.5	15,000	15,000	14,000	15,000	15,000	13,000	58.72.449.604-605
150 x 16	GS-ST 12010	FL 4118	785	475	10/335/280 M22 x 1.5	15,000	15,000	14,000	15,000	15,000	13,000	58.72.449.142-143
150 x 20	GS-ST 14010	FL 4118	785	475	10/335/280 M22 x 1.5	17,000	17,000	16,000	17,000	16,000	15,000	58.74.449.000-001

Spring seats or cylinder brackets available on request