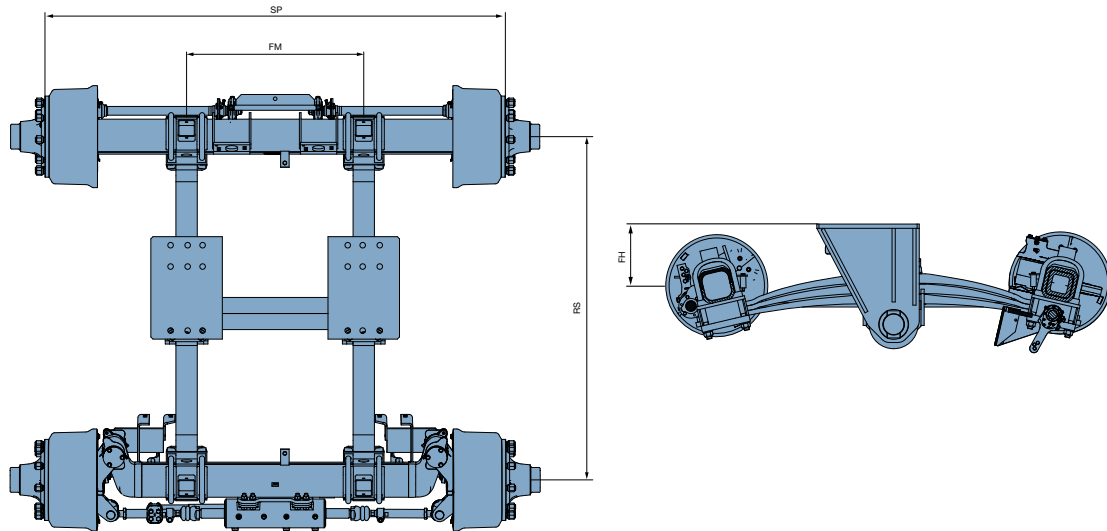


# BPW Tandem Axle Suspension



## Rigid braked tandem axle suspension

Axle cross-section (mm)	Suspension type	Wheel brake	Track width SP (mm)	Wheel base RS (mm)			Ride height FH (mm)		Wheel connection	Static axle load (kg)		BPW code
				1,450	1,600	1,900	underslung spring	overslung spring		25 km/h	40 km/h	
100	GSBW 8008	N-4008	1,950	-	x	-	245	454	8/275/220 M20 x 1.5	15,000	14,000	56.70.05.0605
												56.70.05.0604
100	GSBW 8008	N-4008	2,150	-	x	-	245	454	8/275/220 M20 x 1.5	15,000	14,000	56.70.05.0607
												56.70.05.0606
120 x 15	GSBW 11010	FL 4112	1,950	on request	x	x	260	454	10/335/280 M22 x 1.5	21,000	20,000	56.88.05.0604
												56.88.05.0603
120 x 15	GSBW 11010	FL 4112	2,225	on request	x	x	260	454	10/335/280 M22 x 1.5	21,000	20,000	56.88.05.0606
												56.88.05.0605
150 x 16	GSBW 12010	FL 4118	2,050	-	x	x	351	487	10/335/280 M22 x 1.5	25,000	24,000	56.72.05.0431
												56.72.05.0356
150 x 16	GSBW 12010	FL 4118	2,225	-	x	x	351	487	10/335/280 M22 x 1.5	25,000	24,000	56.72.05.0605
												56.72.05.0604

## Braked tandem axle suspension with single cylinder steering axle

FA 100/ RA 120 x 15	GSBWLA 8008	N-4008	1,950	-	x	-	245	454	8/275/220 M20 x 1.5	15,000	14,000	56.70.05.0609
												56.70.05.0608
FA 100/ RA 120 x 15	GSBWLA 8008	N-4008	2,150	-	x	-	245	454	8/275/220 M20 x 1.5	15,000	14,000	56.70.05.0611
												56.70.05.0610

FA = Front axle / RA = Rear axle

120 x 15	GSBWLA 11010	FL 4112	1,950	on request	x	x	260	454	10/335/280 M22 x 1.5	21,000	20,000	56.88.05.0608
												56.88.05.0607
120 x 15	GSBWLA 11010	FL 4112	2,225	on request	x	x	260	454	10/335/280 M22 x 1.5	21,000	20,000	56.88.05.0610
												56.88.05.0609
150 x 16	GS(H)BWLL 12010	FL 4118	2,050	-	x	x	323	496	10/335/280 M22 x 1.5	26,000	26,000	56.72.05.0601
												56.72.05.0600
150 x 16	GS(H)BWLL 12010	FL 4118	2,225	-	x	x	323	496	10/335/280 M22 x 1.5	26,000	26,000	56.72.05.0607
												56.72.05.0606

Models listed above also available without brake on request