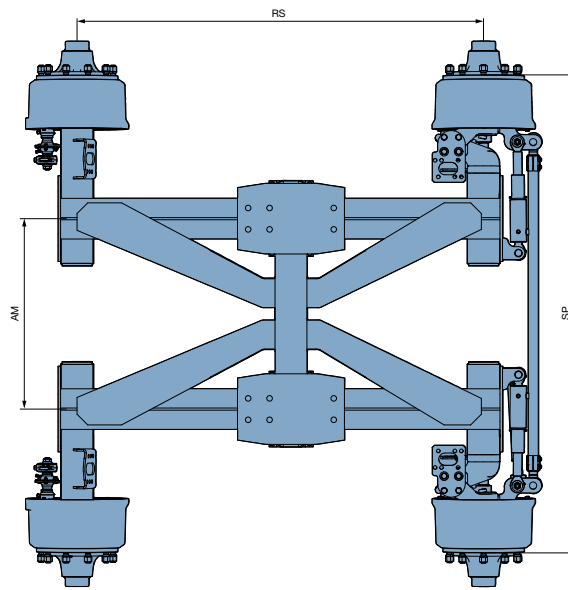


BPW Walking Beam Suspension



Axle cross-section (mm)	Suspension type	Wheel brake	Track width SP (mm)	Support centre AM (mm)	Ride height FH (mm)	Wheel base RS (mm)	Wheel connection	Suspension load (kg)		BPW code (rigid axle)	Rigid/steered
								25 km/h	40 km/h		

Braked walking beam suspension (rigid and steered)

100	GSSTP 8008	N-4008	2,050	1,100	280	1,350	8/275/220 M20 x 1.5	14,000	14,000	56.70.06.0601	rigid
100/120 x 15	GSSTP 8008	N-4008	2,050	1,100	280	1,350	8/275/220 M20 x 1.5	14,000	14,000	56.70.06.0603	steered
120 x 15	GSSTP 11010	FL4112	2,050	930	280	1,300	10/335/280 M22 x 1.5	20,000	20,000	56.88.06.0033	rigid
120 x 15	GSSTPLS 11010	FL4112	2,050	930	280	1,300	10/335/280 M22 x 1.5	20,000	20,000	56.88.06.0036	steered
120 x 15	GSSTP 11010	FL4112	2,225	890	280	1,550	10/335/280 M22 x 1.5	20,000	20,000	56.88.06.0604	rigid
120 x 15	GSSTPLS 11010	FL4112	2,225	890	280	1,550	10/335/280 M22 x 1.5	20,000	20,000	56.88.06.0039	steered
150 x 16	GSSTPLS 12010	FL4118	2,050	900	280	1,900	10/335/280 M22 x 1.5	26,000	26,000	56.72.06.0607	steered
150 x 16	GSSTPLS 12010	FL4118	2,225	890	280	1,900	10/335/280 M22 x 1.5	26,000	26,000	56.72.06.0609	steered

Unbraked walking beam suspension (steered)

120 x 15	GSSTPLS 12010	-	2,250	1,100	285	1,800	10/335/280 M22 x 1.5	22,000	22,000	56.72.06.0052	with steering cylinder
150 x 16	GSSTPLS 12010	-	3,000	1,700	273	1,900	10/335/280 M22 x 1.5	26,000	24,000	56.72.06.0022	steered

Models listed above also available with/without brake on request