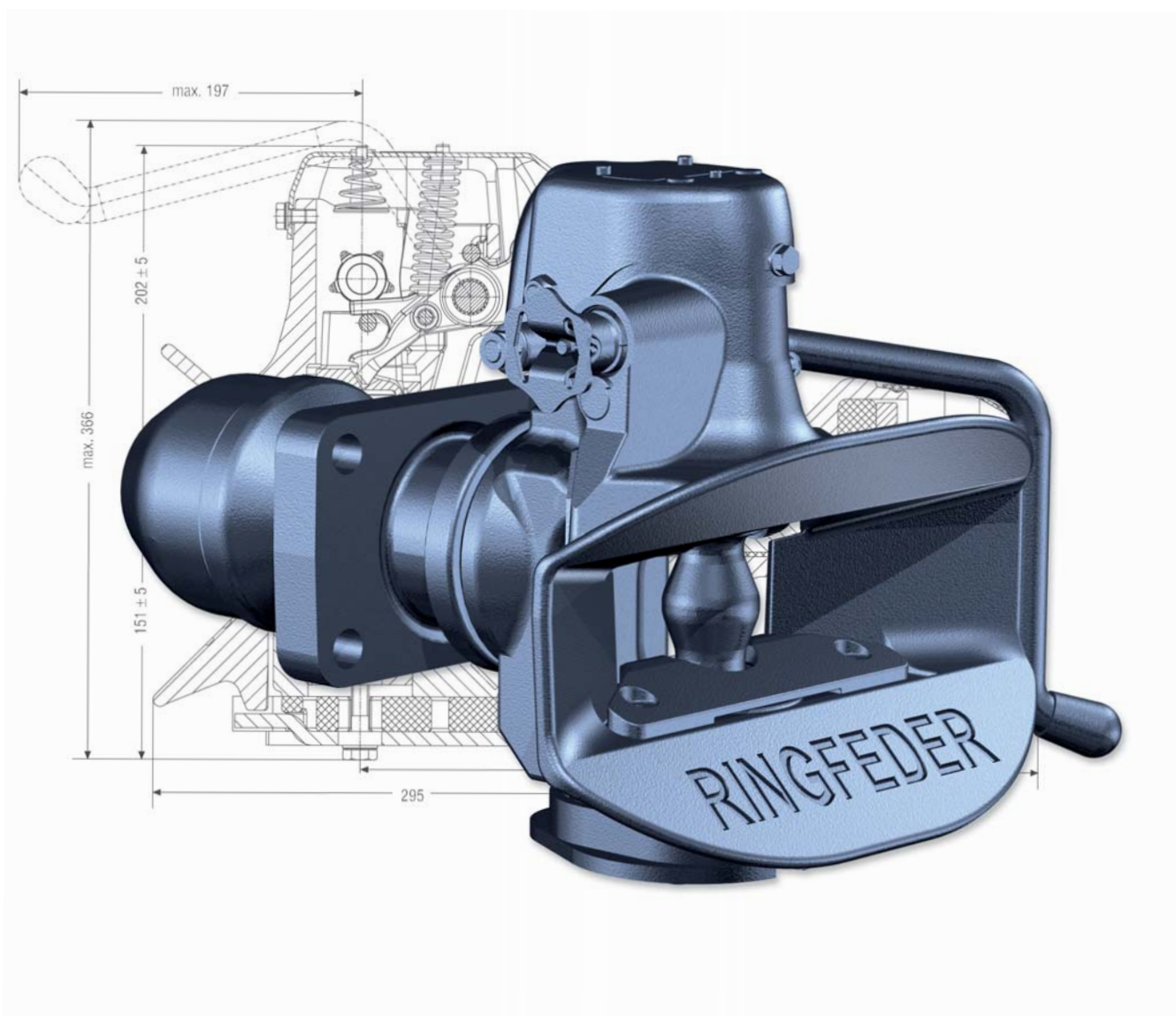


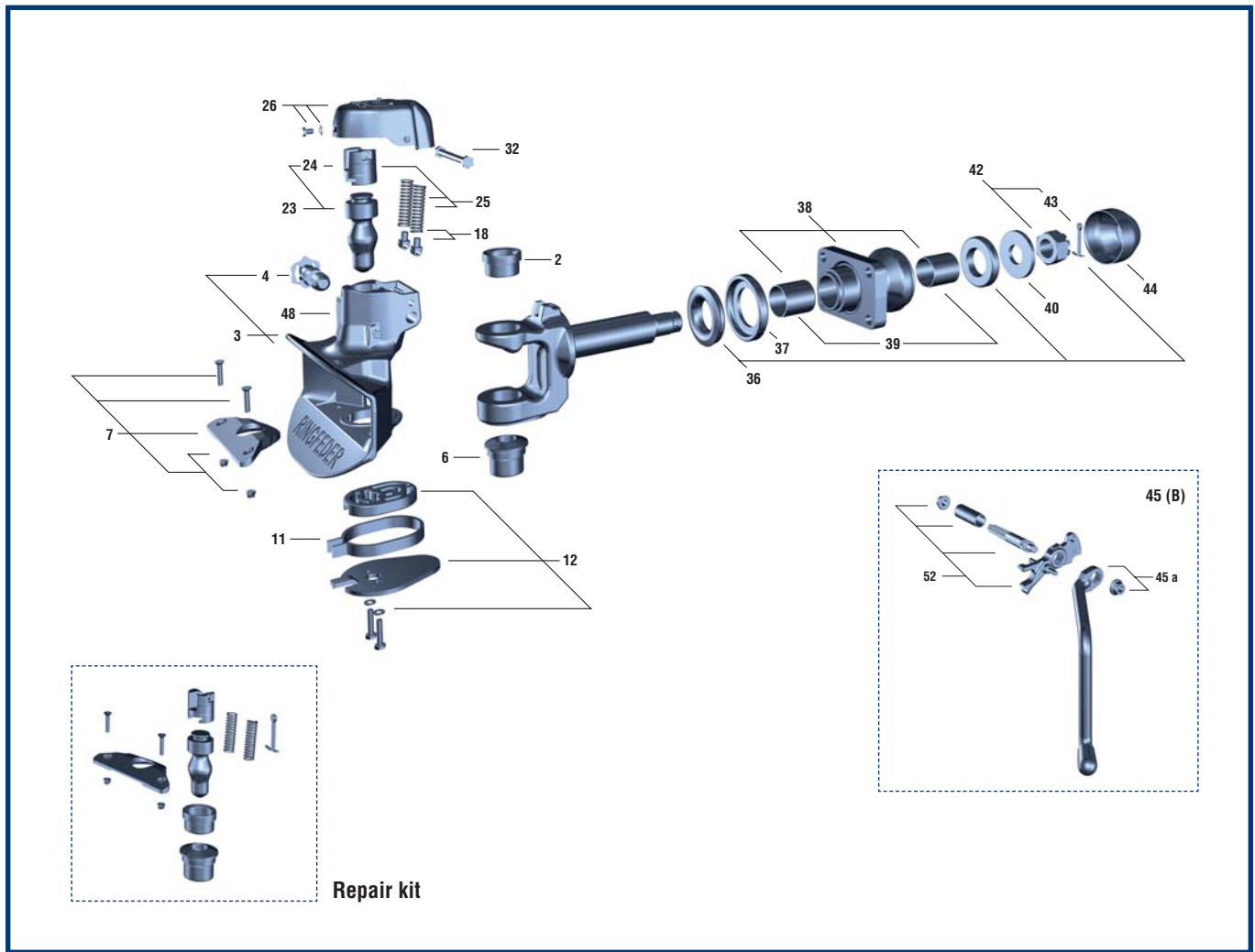
RINGFEDER®

Automatic Trailer Coupling for heavy duty transport with 50 mm drawbar eyes

Type 101 AUS



Type 101 AUS



Spare parts

Type 101 AUS		
Pos.	No.	Designation
2	14 991 384	Top guide bush
3	14 991 760	Coupling body
4	14 991 073	Manual safety device
6	14 991 407	Bottom guide bush
7	6 998 321	Special plastic plate
7 a	9 996 770	Wearing plate (cast iron)
11	7 995 610	Return spring
12	14 991 399	Tab washer
18	7 998 341	Spring arm
23	14 991 375	Coupling bolt
25	14 991 273	Locking spring
26	14 991 367	End cap, cpl.
32	14 991 359	Hexagon screw M10 x 115, 10.9
36	14 994 568	Rubber spring
37	14 994 472	Thrust washer
38	14 994 463	Bar guide

Type 101 AUS		
Pos.	No.	Designation
39	14 994 876	Bearing bush
40	14 994 496	Tension washer
42	6 997 732	Castellated nut M45 x 3
43	12 991 533	Cotter pin 8 X 80
44	14 994 455	Protecting cap
45	14 991 262	Hand-/locking lever combination design B
45 a	14 991 376	Hand lever design B
48	9 122 900	Plug for sensor hole (10 pieces)
52	14 991 383	Axle with locking lever
	14 991 632	Repair kit (Pos. 2 + 6 + 7 + 23 + 43)

Technical data

Design	D-Value kN	Weight kg	ADR 62 Approval No.	Order number
101 AUS	285	50	CRN 37460	14 991 144

Type 101 AUS



Opening the trailer coupling to couple the towing eye

To open the trailer coupling proceed as described above. The coupling lever is engaged in its upper end position, the coupling is set ready for its next engagement. When inserting the towing eye the coupling mechanism is released by lifting the coupling bolt. The coupling closes automatically which means that the coupling bolt is inserted in its lower position through the towing eye bush in the lower guide bush. The safety device is engaged that is to say the safety bar / bolt locates over the coupling bolt, the securing knob is in its engaged position, the coupling is closed and secured, the towing eye is engaged.

Check that after each coupling process the safety device is fully engaged. If the securing knob is not in its internal engaged position, the trailer coupling is unsecured and the whole coupling procedure must be repeated.

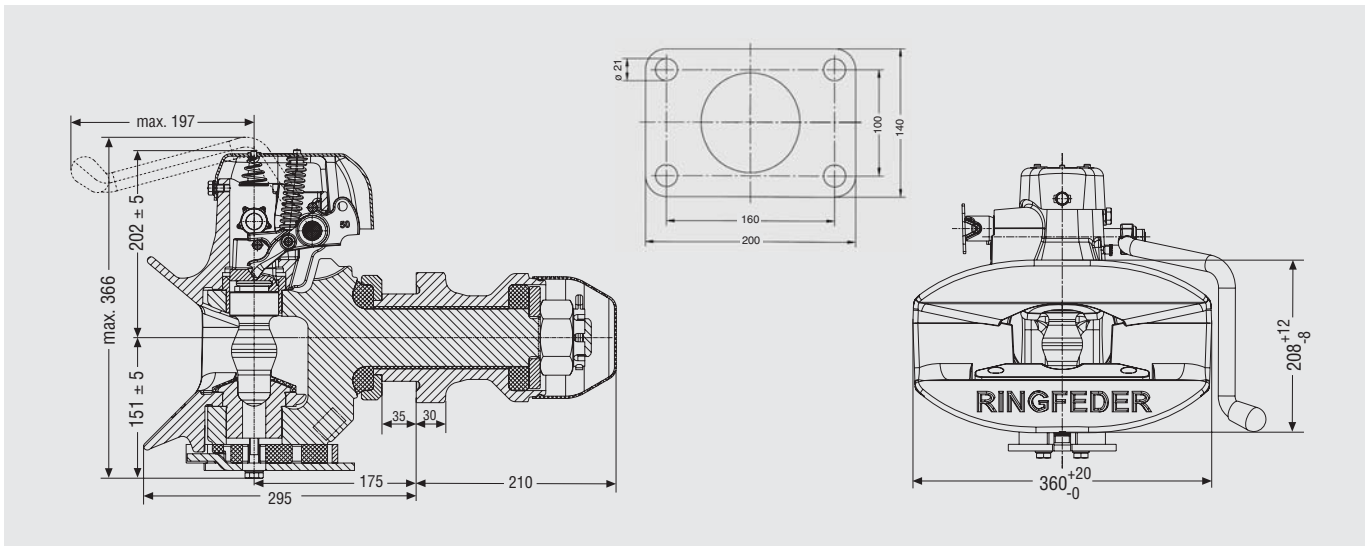
Operation:

Trailer coupling coupled

The trailer coupling is closed and secured, respectively coupled, that is to say the towing eye is inserted, the coupling bolt in its lower position, the safety device is engaged: the safety bar/bolt locates over the coupling bolt, the security knob is in the internal engaged position.

Opening the trailer coupling

The trailer coupling can only be opened if the coupling jaw is in the central position or in the lateral end positions. To release the trailer coupling the securing knob is to be pulled out and turned ahead until it has reached its external engaged position. The trailer coupling now is released. To open the trailer coupling the handle is moved to its upper end position and then released. (The handle engages in the upper end position.) This will cause the coupling bolt to lift up and the towing eye may be extended. Due to the extension of the towing eye the coupling mechanism is again released and thus the coupling repeatedly closed and secured.



Type 101 AUS



- Modular system
- Rotating coupling bolt
- Low weight
- Minimized wear
- Compatible and safe handling
- Easy to service

Technical Data

D-value for towing vehicle and full-trailer:

$$D \text{ (kN)} = g \cdot \frac{T \cdot R}{T + R}$$

The calculated D-Value may be **less or equal to** the D-value of the coupling

T: max. mass in tonnes of the towing vehicle

R: max. mass in tonnes of the full-trailer

g: acceleration due to gravity 9.81 m/s²



Melbourne Head Office

1 - 11 Cherry Lane
North Laverton, Victoria 3026

Phone: (03) 9267 2444

Fax: (03) 9369 4826

E-mail: info@bpwtranspec.com.au

Website: www.bpwtranspec.com.au

Sydney Office

10 Squill Place
Arndell Park, New South Wales 2148

Phone: (02) 8811 7000

Fax: (02) 8811 7050

Brisbane Office

Cnr. Archerfield & Bernoulli Street
Darra, Queensland 4076

Phone: (07) 3217 0877

Fax: (07) 3217 0230

Perth Office

20 Brennan Way
Belmont, Western Australia 6104

Phone: (08) 9479 5822

Fax: (08) 9479 6922



A certified company in accordance with DIN EN ISO 9001:2000 and ISO TS 16949:2002 and DIN EN ISO 14001:1996

VBG GROUP TRUCK EQUIPMENT GMBH · Oberschlesienstr. 15 · D-47807 Krefeld · P.O. Box 130655 · D-47758 Krefeld
Phone +49 (0) 2151 835-0 · Fax +49 (0) 2151 835-200 · www.ringfeder.de
e-mail: info@ringfeder.de