

RINGFEDER®

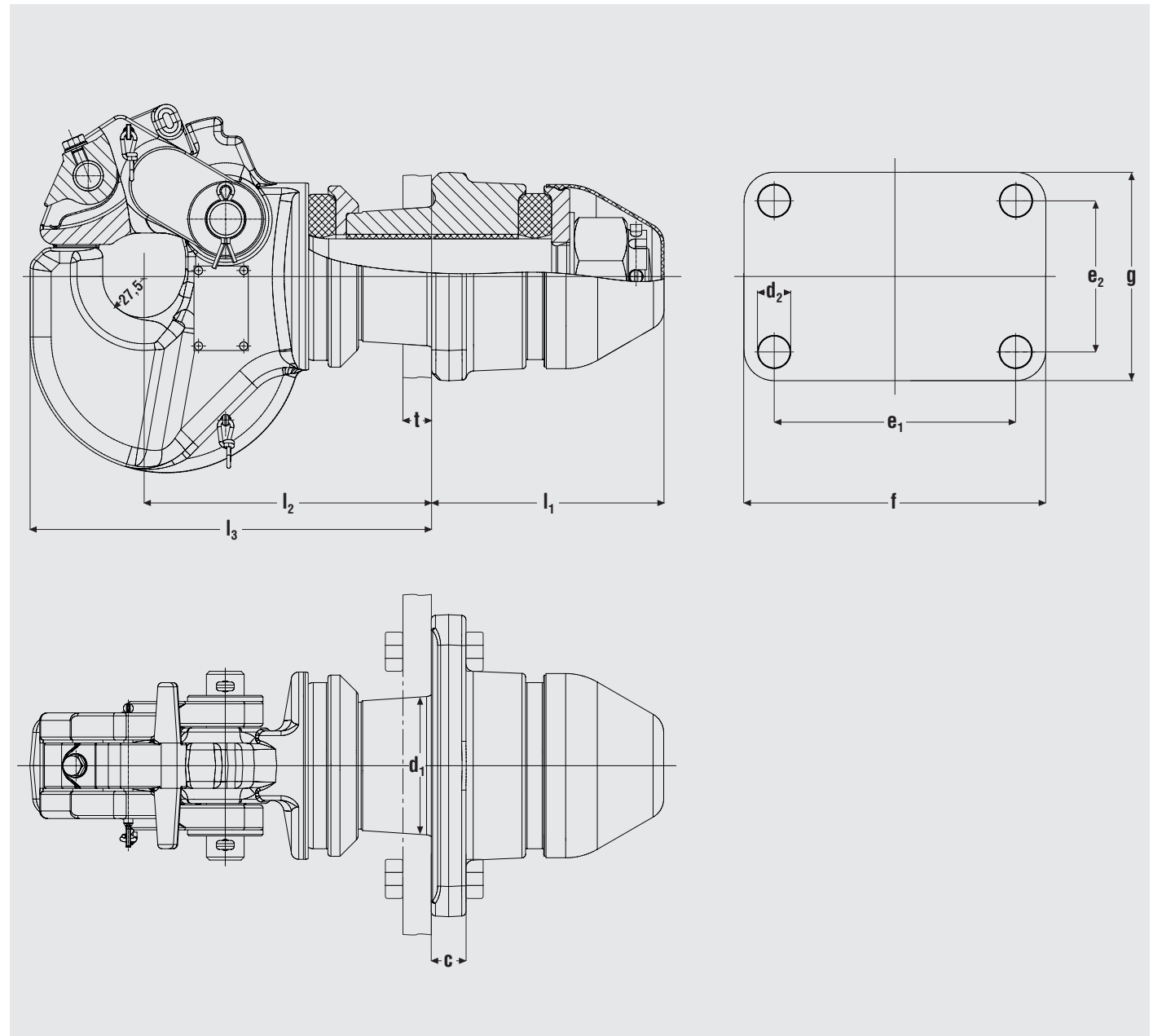
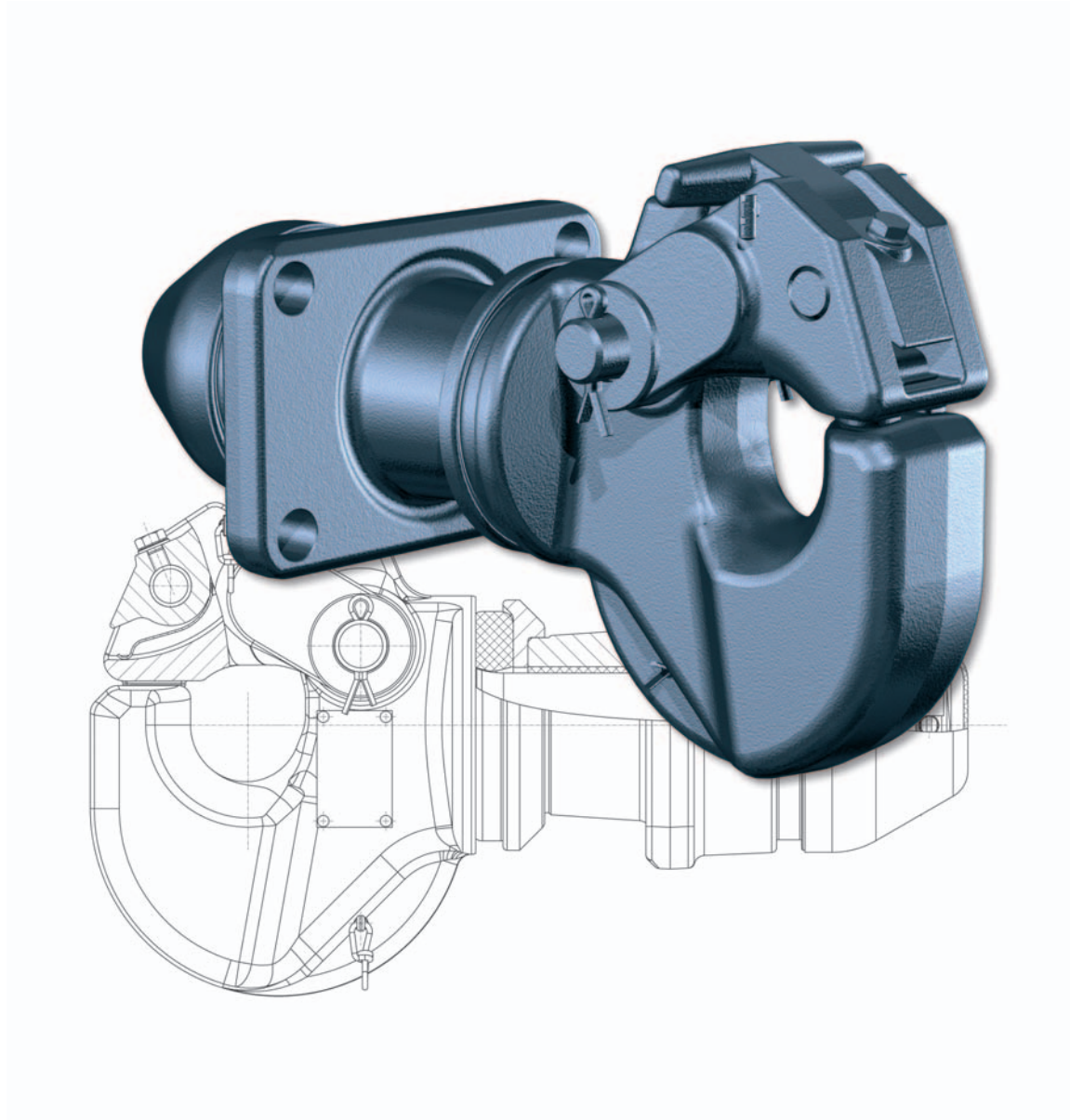
Non-Automatic Hook Coupling

Type 65

GB

04
06

Prospecte



Technical Data:

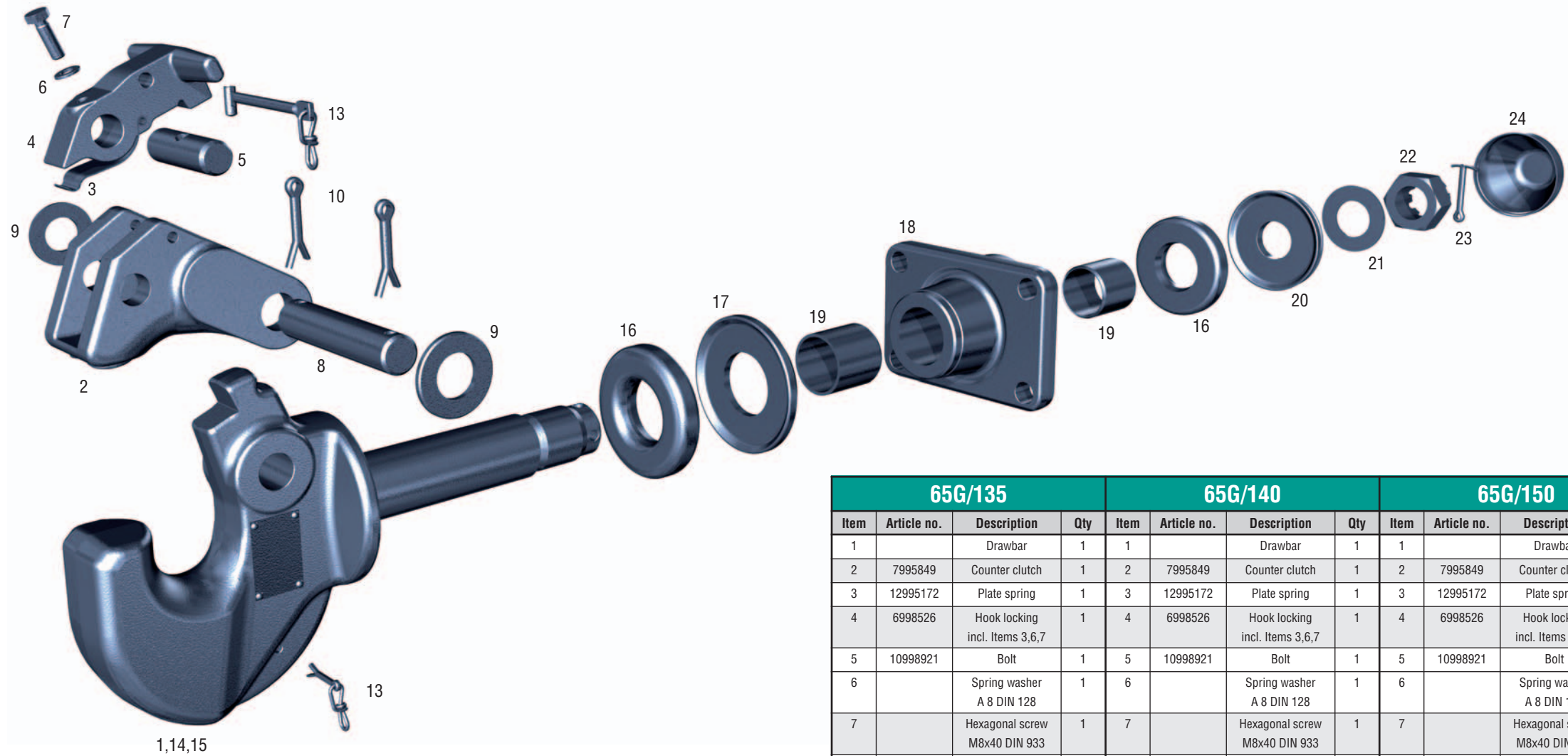
Order No.	Type	Admiss. Trailer Load for Full Trailers t	D-Value kN	Admissible Supporting Load kg	Type Approval	c	d1	d2	e1 x e2	f	g	l1	l2	l3	t max	Weight
						mm	mm	mm	mm	mm	mm	mm	mm	mm	mm	mm
990256	65 G 125	10	25	250	none	16	54	12.5	83x56	110	85	155	150	220	15	14
7999003	65 G 135	15	70	700	none	21	74	15	120x55	155	90	150	180	245	35	17
990272	65 G 140	20	100	1000	none	23	84	17	140x80	180	120	172	185	258	35	25
990280	65 G 150	35	140	1000	none	23	94	21	160x100	200	140	165	192	265	35	27

A certified company in accordance with DIN EN ISO 9001:2000 and ISO TS 16949:2002 and DIN EN ISO 14001:1996

RINGFEDER VBG GMBH · Oberschlesienstr. 15 · D-47807 Krefeld · P.O. Box 130655 · D-47758 Krefeld
Phone +49 (0) 2151 835-0 · Fax +49 (0) 2151 835-200/207 · <http://www.ringfeder.de>
e-mail: info@ringfeder.de

Non-Automatic Hook Coupling

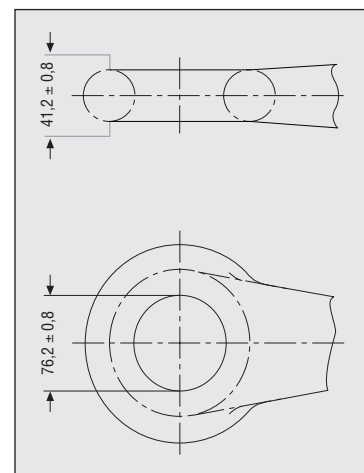
Type 65



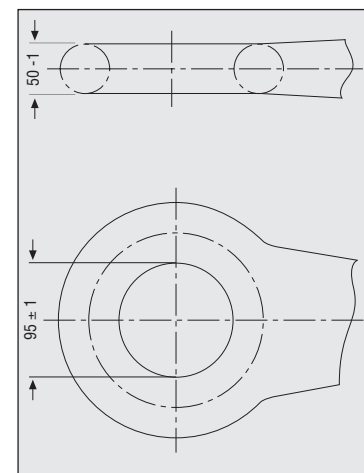
65G/125			
Item	Article no.	Description	Qty
1		Drawbar	1
2	7995849	Counter clutch	1
3	12995172	Plate spring	1
4	6998526	Hook locking incl. Items 3,6,7	1
5	10998921	Bolt	1
6		Spring washer A 8 DIN 128	1
7		Hexagonal screw M8x40 DIN 933	1
8	6998500	Bolt incl.2 of items 9, 10	1
9		Washer 25 DIN 1440	2
10		Cotter pin 6,3x40 DIN 94	
13	10996180	Link bolt complete	1
14(30)		Name plate	1
15(31)		Rivet 3x4 DIN 1476	4
16(36)	7998295	Rubber spring	2
17(37)	7995547	Thrust washer	1
18(38)	1996770	Drawbar guide	1
19(39)	10995302	Bearing bush	2
20(40)	7995512	Tension washer	1
21(41)	10995299	Spring washer B 30 DIN 137	1
22(42)	6997759	Castle nut M30 incl. Item 23	1
23(43)	10998433	Cotter pin 6,3x50 DIN 94	1
24(44)	10996678	Protecting cap	1

The non-automatic trailer couplings type 65 are especially used in the military and agricultural field.

With regard to the standard sizes type 65G 125 to G150 the inner radius of the coupling bolt is 27,5 mm so that as well ring eyes according to VG 74059 as also special eyes corresponding to the figure can be coupled. (Drawbar eyes axially fixed only)



Ring towing eye according to VG 74059



Special Eye

65G/135				65G/140				65G/150			
Item	Article no.	Description	Qty	Item	Article no.	Description	Qty	Item	Article no.	Description	Qty
1		Drawbar	1	1		Drawbar	1	1		Drawbar	1
2	7995849	Counter clutch	1	2	7995849	Counter clutch	1	2	7995849	Counter clutch	1
3	12995172	Plate spring	1	3	12995172	Plate spring	1	3	12995172	Plate spring	1
4	6998526	Hook locking incl. Items 3,6,7	1	4	6998526	Hook locking incl. Items 3,6,7	1	4	6998526	Hook locking incl. Items 3,6,7	1
5	10998921	Bolt	1	5	10998921	Bolt	1	5	10998921	Bolt	1
6		Spring washer A 8 DIN 128	1	6		Spring washer A 8 DIN 128	1	6		Spring washer A 8 DIN 128	1
7		Hexagonal screw M8x40 DIN 933	1	7		Hexagonal screw M8x40 DIN 933	1	7		Hexagonal screw M8x40 DIN 933	1
8	6998500	Bolt incl.2 of items 9, 10	1	8	6998500	Bolt incl.2 of items 9, 10	1	8	6998500	Bolt incl.2 of items 9, 10	1
9		Washer 25 DIN 1440	2	9		Washer 25 DIN 1440	2	9		Washer 25 DIN 1440	2
10		Cotter pin 6,3x40 DIN 94		10		Cotter pin 6,3x40 DIN 94		10		Cotter pin 6,3x40 DIN 94	
13	10996180	Link bolt complete	1	13	10996180	Link bolt complete	1	13	10996180	Link bolt complete	1
14(30)		Name plate	1	14(30)		Name plate	1	14(30)		Name plate	1
15(31)		Rivet 3x4 DIN 1476	4	15(31)		Rivet 3x4 DIN 1476	4	15(31)		Rivet 3x4 DIN 1476	4
16(36)	7998309	Rubber spring	2	16(36)	7998317	Rubber spring	2	16(36)	7998317	Rubber spring	2
17(37)	7995539	Thrust washer	1	17(37)	7995520	Thrust washer	1	17(37)	7995520	Thrust washer	1
18(38)	990531	Drawbar guide	1	18(38)	990540	Drawbar guide	1	18(38)	990558	Drawbar guide	1
19(39)	10995310	Bearing bush	2	19(39)	10996732	Bearing bush	2	19(39)	10996732	Bearing bush	2
20(40)	7995687	Tension washer	1	20(40)	7995555	Tension washer	1	20(40)	7995555	Tension washer	1
21(41)	10995248	Spring washer B 36 DIN 137	1	21(41)	10996686	Spring washer B 45 DIN 137	1	21(41)	10996686	Spring washer B 45 DIN 137	1
22(42)	6997740	Castle nut M36x3 incl. Item 23	1	22(42)	6997732	Castle nut M45x3 incl. Item 23	1	22(42)	6997732	Castle nut M45x3 incl. Item 23	1
23(43)	12991550	Cotter pin 6,3x63 DIN 94	1	23(43)	12991533	Cotter pin 8x80 DIN 94	1	23(43)	12991533	Cotter pin 8x80 DIN 94	1
24(44)	10996660	Protecting cap	1	24(44)	10991463	Protecting cap	1	24(44)	10991463	Protecting cap	1