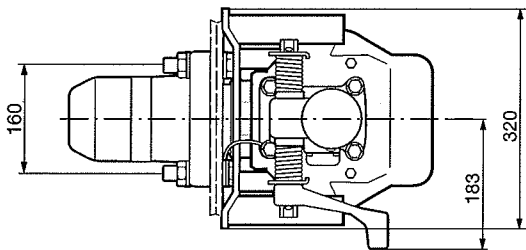
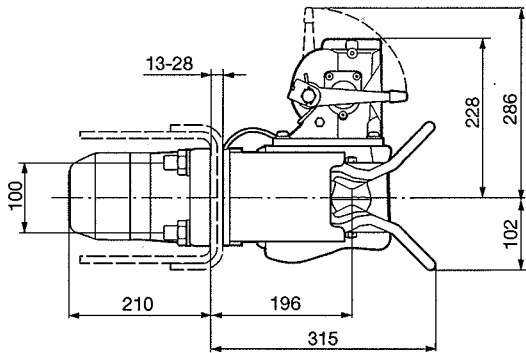
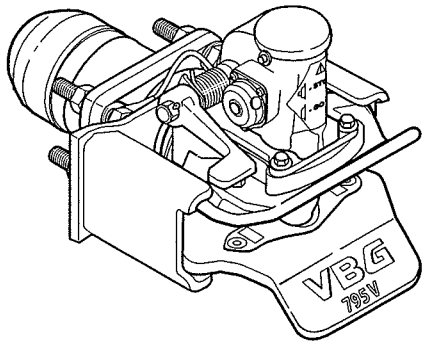


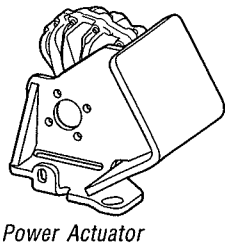
VBG is a supplier of heavy vehicle coupling systems. *The VBG 795 V AUS* coupling, part of this system, is intended for heavy centre axle trailers, multi axle trailers and dollies equipped with a VBG 57.5 mm drawbar eye.

A well thought-out and user-friendly design ensures a reliable, durable coupling with low operating costs.

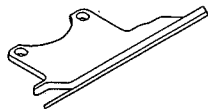
**Scheduled for release
December 2001**



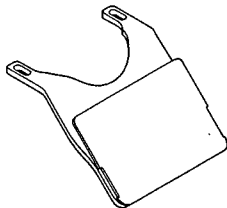
In case of accident, the coupling can rotate 360° in its mounting.



Power Actuator



Coupling jaw extender, lower



Coupling jaw extender, lower

Ergonomics

All it takes to operate the coupling is a simple one-hand manoeuvre. The hexagonal shaft permits several different handle angles as well as right or left mounting. The handle is easy to replace. The rotating bolt also makes coupling and uncoupling easier. For maximum comfort, it is easy to add the VBG Power Actuator to the coupling.

Service friendly

All coupling parts are designed to be easily replaced, exchanging a complete mechanism ensures a safe and simple renovation. Even the coupling mouth and the wear plates are replaceable. The whole coupling –internally as well– is surface-treated using an electrolytic pre-treatment and primer treatment for the best corrosion resistance. Externally, the coupling is top-coated in red to give a very high wear resistance and finish.

One-piece cast mechanism housing

VBG 795 V AUS has a compact mechanism housing, cast as a single piece. The sealed design protects against contaminants and water, increasing reliability and functionality considerably.

Signal and locking pin

VBG 795 V AUS has a completely automated signal and locking pin, clearly indicating both locked and open positions. The design is simple and sturdy. The double lifting arms on the coupling pin increase reliability and ensure high locking safety.

Coupling jaw

The coupling jaw is forged as a single piece for the highest possible performance.

Specifications

Performance values	D: 290 kN
	D _C : 145 kN
	V: 95 kN
	A _V : 18 tonnes
	S: 1,000 kg
Hole profile -drawbeam	160 x 100
Intended for drawbar eye	57.5 mm VBG Std
Weight	63 kg
EC coupling class	S

Accessories

Power Actuator	See separate product sheet
Coupling jaw extender, upper	09-058400
Coupling jaw extender, lower	09-057100

VBG PRODUKTER AB reserve the right to amend or alter specifications at their discretion.



Manufacturer:
VBG PRODUKTER AB
Box 1216
SE-462 28 VÄNERSBORG
SWEDEN

Tel. +46-521- 27 77 00
Fax +46-521- 27 77 92
www.vbg.se