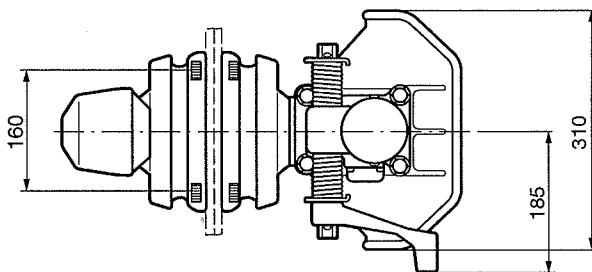
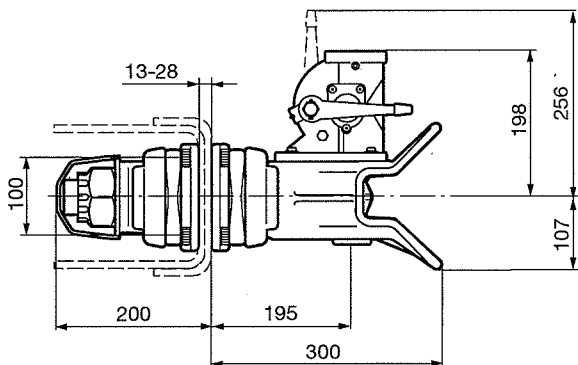
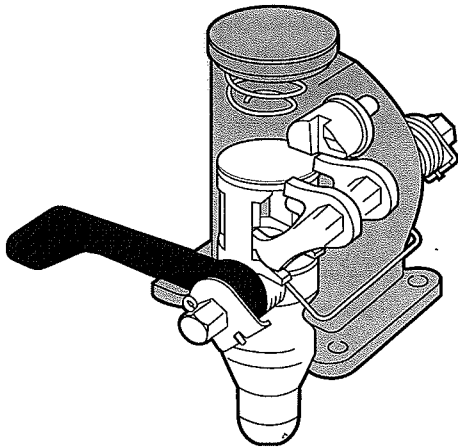


A rubber buffered coupling for multi axle trailers with a hinged drawbar and an ISO 50 mm drawbar eye.

The VBG 8500 has compact cast housing enclosing the mechanism. Few components and a robust design give low costs and reliable operation.

The well proven mounting system ensures good driver comfort whilst the automatic locking device makes uncoupling easier.



Drawbar eye articulation
 Horizontally $\pm 90^\circ$
 Vertically $\pm 30^\circ$
 Rotationally $\pm 360^\circ$

At rotations up to 40° the coupling will return to normal position after stress-relieve. In case of an accident the coupling is allowed to rotate 360° in its mounting.

VBG PRODUKTER AB reserve the right to amend or alter specifications at their discretion

Cast mechanism housing

VBG 8500 has a compact mechanism housing. The enclosed housing design protects against dirt, water and swarf meaning less wear and a reduced risk of icing up. Operational security is therefore considerably increased. The compact design requires less mounting space and reduces the risk of damage.

Rotating coupling pin

VBG 8500 has a rotating coupling pin. In addition to good coupling and uncoupling qualities the design is more robust with a more durable coupling pin and bushings.

Fully automatic locking device and indicator

VBG 8500 has a fully automatic locking device and indicator which clearly shows the locked/unlocked position. The design is simple and robust. A coupling pin operated by two lifting arms increases durability and improves the operation. The coupling is operated by just one simple hand movement.

Well proven mounting assembly

VBG 8500 is as easy to fit as other rubber buffered VBG couplings. Bolted beam plates reduce stresses in the drawbeam whilst big rubber buffers absorb the movement truck and trailer. The well proven mounting assembly means good driver comfort.

Service friendly design

In VBG 8500 key parts are manufactured in stainless steel. Just to give better function, low operational costs and improve security. All wear parts can be easily replaced.

Operation

VBG 8500 is very easy to operate. The hexagon shaft allows the handle to be mounted at several different angular positions as well as right or left hand fitting. The handle can be easily replaced. A VBG Power Actuator can be easily fitted to the mechanism.

Specifications

Drawbar Coupling VBG 8500

LH Handle

Drawbar Coupling VBG 8500

RH Handle

Performance values

Mounting hole pattern
 Intended for drawbar eye

Coupling weight
 Type approval no

Part No. 08-009000

Part No. 08-009300

D: 190 kN

A_V : 18 tonnes

160 x 100 mm

50 mm according to

ISO 1102 /DIN74053 /SMS996

38 kg

4 * 94/20 * 0062 * 00



SWEDEN:
VBG PRODUKTER AB
 Box 1216
 SE-462 28 VÄNERSBORG
 Tel. +46-521- 27 77 00
 Fax +46-521- 27 77 92
 www.vbg.se

NORWAY:
VBG PRODUKTER A/S
 Postboks 94 Leirdal
 NO-1009 OSLO
 Tel. +47 23 14 16 60
 Fax +47 23 14 16 61
 www.vbg.no

DENMARK:
VBG PRODUKTER A/S
 Industribuen 20-22
 DK-5592 EJBY
 Tel. +45 64 46 19 19
 Fax +45 64 46 10 88
 www.vbg.dk

GERMANY:
RINGFEDER VBG GMBH
 Postfach 130619
 DE-47758 KREFELD
 Tel. +49 (0)2151-835-0
 Fax +49 (0)2151-835-200
 www.ringfeder.de