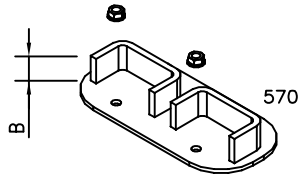
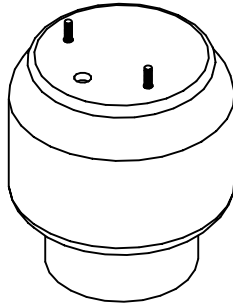


LIFT AIRBAG MOUNT
OPTIONS
Refer suspension axle
lift drawing.



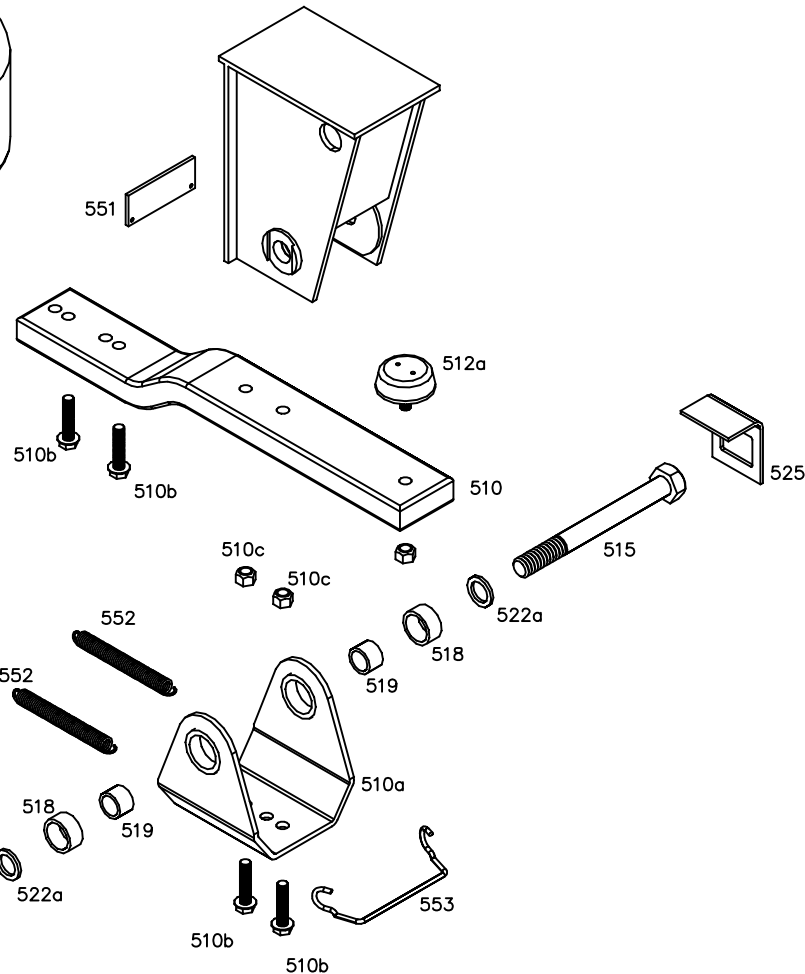
LIFT AIRBAG OPTIONS
Refer suspension axle
lift drawing.

550

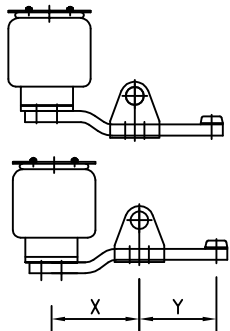


SUSPENSION HANGER

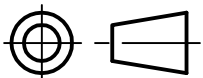
Refer suspension assembly
drawing for details



**FOR CORRECT CONFIGURATION REFER
SUSPENSION AXLE LIFT DRAWING.**



No.	QTY	PART No.	DESCRIPTION
510	1	03.195.00.96.0	Arm
510a	1	05.189.12.38.0	Bracket- lever Arm
510b	4	02.5070.95.00	M16x65 Screw
510c	2	02.5220.23.82	M16 Locknut
512a	1	02.3506.02.00	Bump Stop
515	1	03.340.15.37.0	M30x265 Bolt
518	2	03.113.94.10.0	Nylon Sleeve
519	2	03.310.30.49.0	Steel Sleeve
522a	2	03.320.34.51.0	Washer
524	1	03.260.15.01.0	M30 Locknut
525	1	03.161.35.07.0	Shaped Plate
LIFT AIRBAG OPTIONS (one per axle lift assembly)			
550	1	05.429.43.36.0	D30 Airbag Assembly
550	1	05.429.43.35.0	D30K Airbag Assembly
TENSION SPRING INSTALLATION (refer drg LO-0071)			
551	1	AS0024/1	Spring Mounting Plate
552	2	AS0024/2	Tension Spring
553	1	AS0024/3	Spring Retainer
LIFT BAG MOUNT OPTIONS (one per axle lift assembly)			
570	1	03.281.47.12.0TS	Height, B = 6mm
570	1	05.189.07.29.0	Height, B = 40mm
570	1	03.391.69.24.0	Height, B = 60mm
570	1	05.189.07.28.0	Height, B = 100mm



UNLESS OTHERWISE STATED ALL DIMENSIONS IN MILLIMETRES.

UNLESS OTHERWISE STATED ALL TOLERANCES ARE PER :
BPW WN-1.043 & BPW WN-1.047

AVAILABLE UPON REQUEST FROM TRANSPREC



1 CHERRY LANE,
LAVERTON NORTH, VIC, 3026.
PHONE: (03) 9267 2444.
FAX: (03) 9369 4826.



TITLE

**BPW AXLE LIFT KIT
SIDE LIFT INSTALLATION
FOR STEEL HANGERS
FOR HEAVY DUTY & SL/AL SERIES SUSP'NS**

THIS DRAWING IS COPYRIGHT AND THE SOLE PROPERTY OF
TRANSPREC LIMITED, AND MUST NOT BE COPIED OR LOANED WITHOUT
WRITTEN PERMISSION AND MUST BE RETURNED UPON REQUEST.

DRAWN	P.O'MALLEY	APPR'D	
DATE	21-07-2004	SCALE	NTS

A3

DRAWING NO	AL-02KIT	REV	A
------------	-----------------	-----	----------