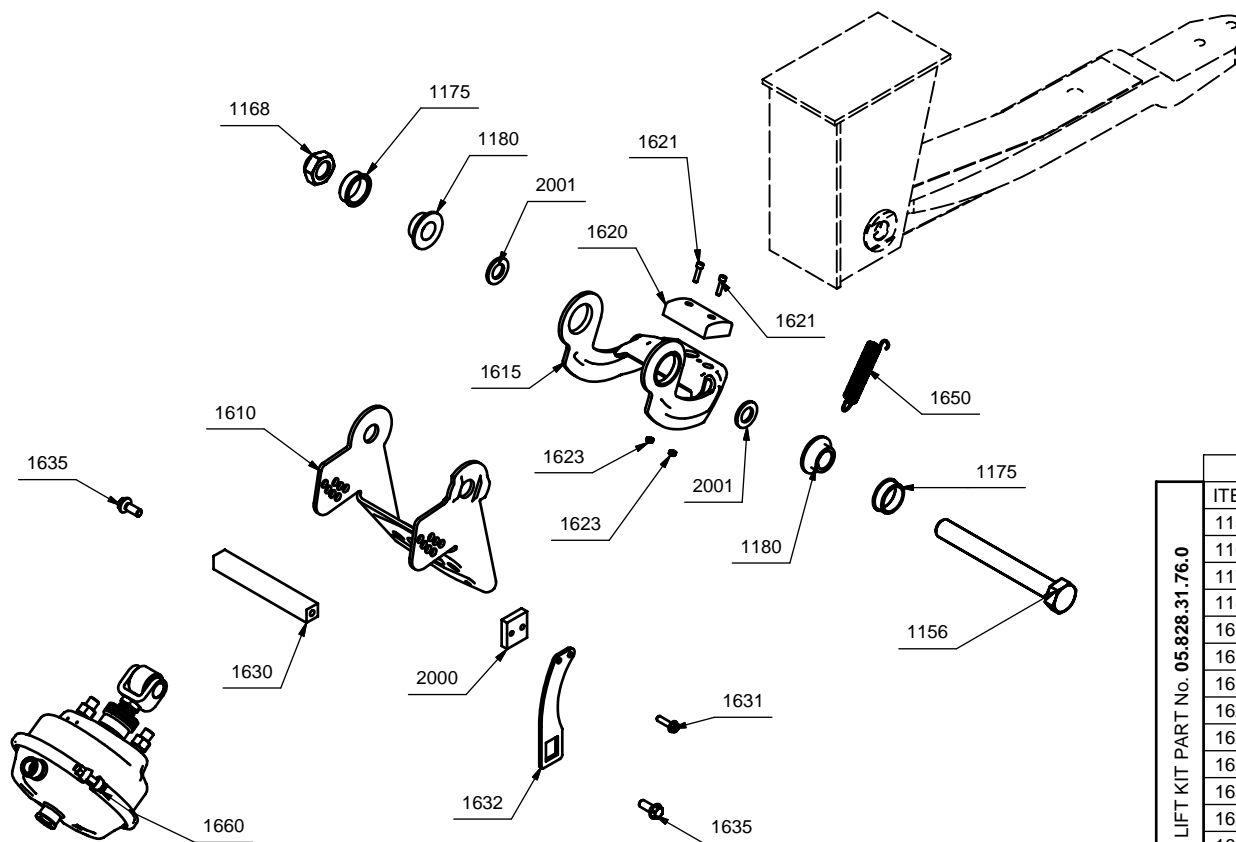


PIVOT HANGER

Refer suspension axle lift drawing for details

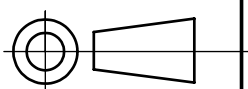
SUSPENSION SPRING

Refer suspension axle lift drawing for details



Note: Item 2000, Spacer Plate, Part No. AS-0137, is only required with fabricated hangers, and not for pressed hangers.

Parts List				
ITEM	QTY	PART NUMBER	DESCRIPTION	
1156	2	0334015390	SPRING EYE BOLT - M30x255	
1168	2	0326015010	LOCK NUT - M30	
1175	4	0311304110	BUSH	
1180	4	0311301370	BUSH	
1610	1	0318915360	SUPPORT - RIGHT HAND SIDE	
1611	1	0318915370	SUPPORT - LEFT HAND SIDE	
1615	2	0519044140	LEVER	
1620	2	0235060600	BUMP STOP	
1621	4	0250150480	CYLINDER CAP SCREW - M6	
1623	4	0252200782	LOCK-NUT M6	
1630	2	0344101190	LOCKING BAR	
1631	2	0250713700	SCREW - M8x45	
1632	2	0328536070	LOCKING PLATE	
1635	4	0250715311	LOCKING SCREW - M12x30	
1650	2	0339726070	RETURN SPRING	
1660	2	0544410380	BOOSTER - TYPE44	
Items To Be Picked - (SE07 - Spring eye assembly, Dual Sided non-alignable hanger)				
ITEM	QTY	PART NUMBER	DESCRIPTION	
2000	2	AS-0137	SPACER PLATE	
2001	4	0254012507	WASHER - M30	



UNLESS OTHERWISE STATED ALL DIMENSIONS IN MILLIMETRES.
UNLESS OTHERWISE STATED ALL TOLERANCES ARE PER:
BPW WN-1.043 & BPW WN-1.047
AVAILABLE UPON REQUEST FROM BPW TRANSPREC PTY LTD.

		1 CHERRY LANE LAVERTON NORTH, VIC. 3026 PHONE: (03)9267 2444 FAX: (03)9369 4826 www.bpwtranspec.com.au ABN 76 000 166 923		TITLE BPW AXLE LIFT KIT HEAVY DUTY DOUBLE SIDED AXLE LIFT TO SUIT SUSPENSIONS WITH NON-ALIGNABLE HANGERS AND 100mm WIDE TRAILING ARMS	
		THIS DRAWING IS COPYRIGHT AND IS THE SOLE PROPERTY OF TRANSPREC LIMITED, AND MUST NOT BE COPIED OR LOANED WITHOUT WRITTEN PERMISSION AND MUST BE RETURNED UPON REQUEST		DRAWING No. AL-03KIT	
DRAWN P.O'MALLEY	APPR'D [Signature]	DATE 28-02-2006	SCALE NTS	A3	REV