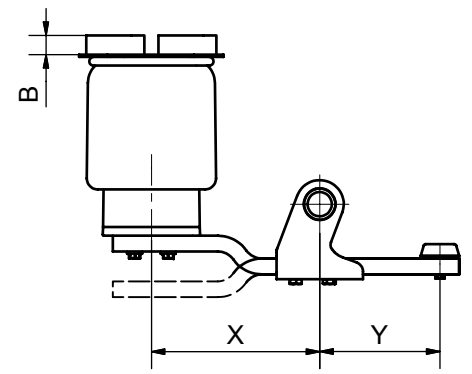


LIFT AIRBAG OPTIONS
Refer suspension axle lift drawing for details

PIVOT HANGER
Refer suspension axle lift drawing for details

SUSPENSION SPRING
Refer suspension axle lift drawing for details

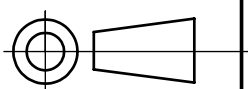
LIFT AIRBAG MOUNT OPTIONS
Refer suspension axle lift drawing for details



FOR CORRECT CONFIGURATION, REFER SUSPENSION AXLE LIFT DRAWING

NOTE: When fitting a single sided axle lift in conjunction with alignable hangers with SL or AL suspension, the hanger with the lift arm becomes non-alignable. The opposite hanger on the same axle will remain alignable.

Parts List			
ITEM	QTY	PART NUMBER	DESCRIPTION
510a	1	0518912380	LOCK NUT
510b	2	0250709500	SCREW - M16x45
510c	2	0250263512	SCREW - M16x65
510	1	0319500960	AXLE LIFT ARM
511	1	0518912380	AXLE LIFT BRACKET
512	1	0235060200	RUBBER BUMP STOP
515	1	0334015370	BOLT - SPRING EYE - M30
518	2	0311394100	NYLON SLEEVE
519	2	0331030490	STEEL SLEEVE
522	2	0332032380	WASHER - M30
524	1	0326015010	LOCK-NUT - M30
525	1	0316135070	SHAPED PLATE
551	1	AS0024/1	SPRING MOUNTING PLATE
552	2	AS0024/2	RETURN SPRING
553	1	AS0024/3	SPRING RETAINER
1162	2	0328163110	SPACER PLATE
1525	2	0316435010	ALIGNING PLATE
LIFT AIRBAG OPTIONS (one per axle lift assembly)			
550	1	0542943360	D30 AIRBAG ASS'Y
550	1	0542943350	D30K AIRBAG ASS'Y
LIFT BAG MOUNT OPTIONS (one per axle lift assembly)			
570	1	0328147120TS	HEIGHT= 6mm
570	1	0339169240	HEIGHT= 60mm
570	1	0518907290	HEIGHT= 40mm
570	1	0518907280	HEIGHT= 100mm



UNLESS OTHERWISE STATED ALL DIMENSIONS IN MILLIMETRES.
UNLESS OTHERWISE STATED ALL TOLERANCES ARE PER:
BPW WN-1.043 & BPW WN-1.047
AVAILABLE UPON REQUEST FROM BPW TRANSPREC PTY LTD.

BPW Transpec PTY LTD
1 CHERRY LANE
LAVERTON NORTH, VIC, 3026
PHONE: (03)9267 2444
FAX: (03)9369 4826
www.bpwtranspec.com.au
ABN 76 000 166 923

THIS DRAWING IS COPYRIGHT AND IS THE SOLE PROPERTY OF TRANSPREC LIMITED, AND MUST NOT BE COPIED OR LOANED WITHOUT WRITTEN PERMISSION AND MUST BE RETURNED UPON REQUEST

DRAWN	CHETHAN	APPR'D	
DATE	27-02-2009	SCALE	NTS

TITLE
BPW AXLE LIFT KIT
SIDE LIFT INSTALLATION
TO SUIT ALIGNABLE HANGER
FOR HEAVY DUTY & SL/AL SERIES SUSPENSIONS
WITH 100mm WIDE TRAILING ARMS

DRAWING No.	AL-05KIT	REV	A
-------------	----------	-----	---