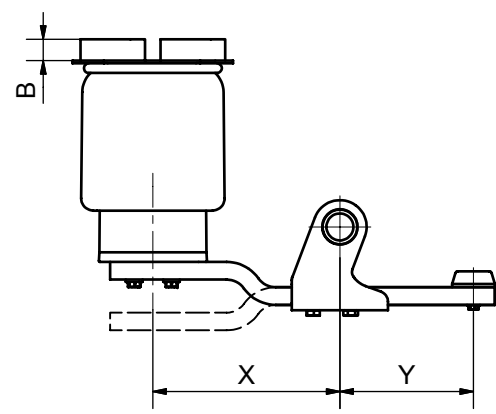


LIFT AIRBAG MOUNT OPTIONS
Refer suspension axle lift drawings for details



FOR CORRECT CONFIGURATION, REFER SUSPENSION AXLE LIFT DRAWING

ITEM	QTY	PART NUMBER	DESCRIPTION
551	1	AS0024/5	SPRING MOUNTING PLATE
552	2	AS0024/2	RETURN SPRING
553	1	AS0024/6	SPRING RETAINER
1156	1	0334014260	SPRING EYE BOLT M24 x 235 ALII
1165	2	0332034550	SPRING SYE WASHER ALII
1168	1	0326014130	SPRING EYE LOCK NUT ALII
1175	2	0311394100	NYLON SLEEVE
1180	2	0311300540	STEEL SLEEVE
1224	2	0250709500	SCREW - M16 x 65
1225	2	0250263512	SCREW M16 x 45
1525	2	0316435030	WEAR PLATE ALII
1560	1	AS-0150	LOCK PLATE AXLE LIFT ALII - FIXED HANGER
1610	1	0319501010	AXLE LIFT ARM
1615	1	0518915150	AXLE LIFT BRACKET ALII
1635	1	0235060700	BUMP STOP
1636	1	0250255611	SCREW M10 x 50
		LIFT AIRBAG OPTIONS (one per axle lift assembly)	
1200	1	0542943650	AIRBAG ASSEMBLY - D30K
1200	1	0542943660	AIRBAG ASSEMBLY - D30
		LIFT BAG MOUNT OPTIONS (one per axle lift assembly)	
570	1	0328147130TS	AIRBAG TOP PLATE - HEIGHT 6mm
570	1	0518907290	AIRBAG TOP PLATE WITH 40mm PACKER
570	1	0339169240	AIRBAG TOP PLATE WITH 60mm PACKER
570	1	0518907280	AIRBAG TOP PLATE WITH 100mm PACKER

BPW Transpec
PTY LTD

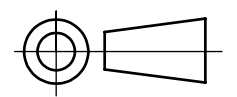
1 CHERRY LANE
LAVERTON NORTH, VIC. 3026
PHONE: (03)9267 2444
FAX: (03)9369 4826
www.bpwtranspec.com.au
ABN 76 000 166 923

THIS DRAWING IS COPYRIGHT AND IS THE SOLE PROPERTY OF TRANSPREC LIMITED, AND MUST NOT BE COPIED OR LOANED WITHOUT WRITTEN PERMISSION AND MUST BE RETURNED UPON REQUEST

TITLE
BPW AXLE LIFT KIT
SIDE LIFT INSTALLATION
TO SUIT FIXED HANGER
FOR ALII SERIES SUSPENSION
WITH 70mm TRAILING ARM

DRAWN	CHETHAN	APPR'D	
DATE	03-03-09	SCALE	NTS

DRAWING No.	REV
A3	AL-07KIT



UNLESS OTHERWISE STATED ALL DIMENSIONS IN MILLIMETRES.
UNLESS OTHERWISE STATED ALL TOLERANCES ARE PER:
BPW WN-1.043 & BPW WN-1.047
AVAILABLE UPON REQUEST FROM BPW TRANSPREC PTY LTD.