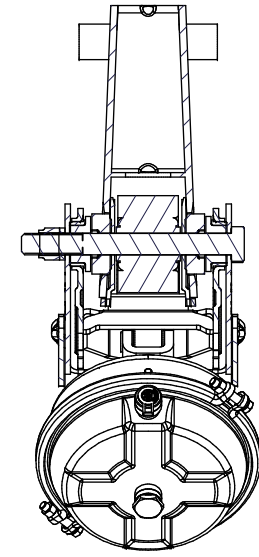
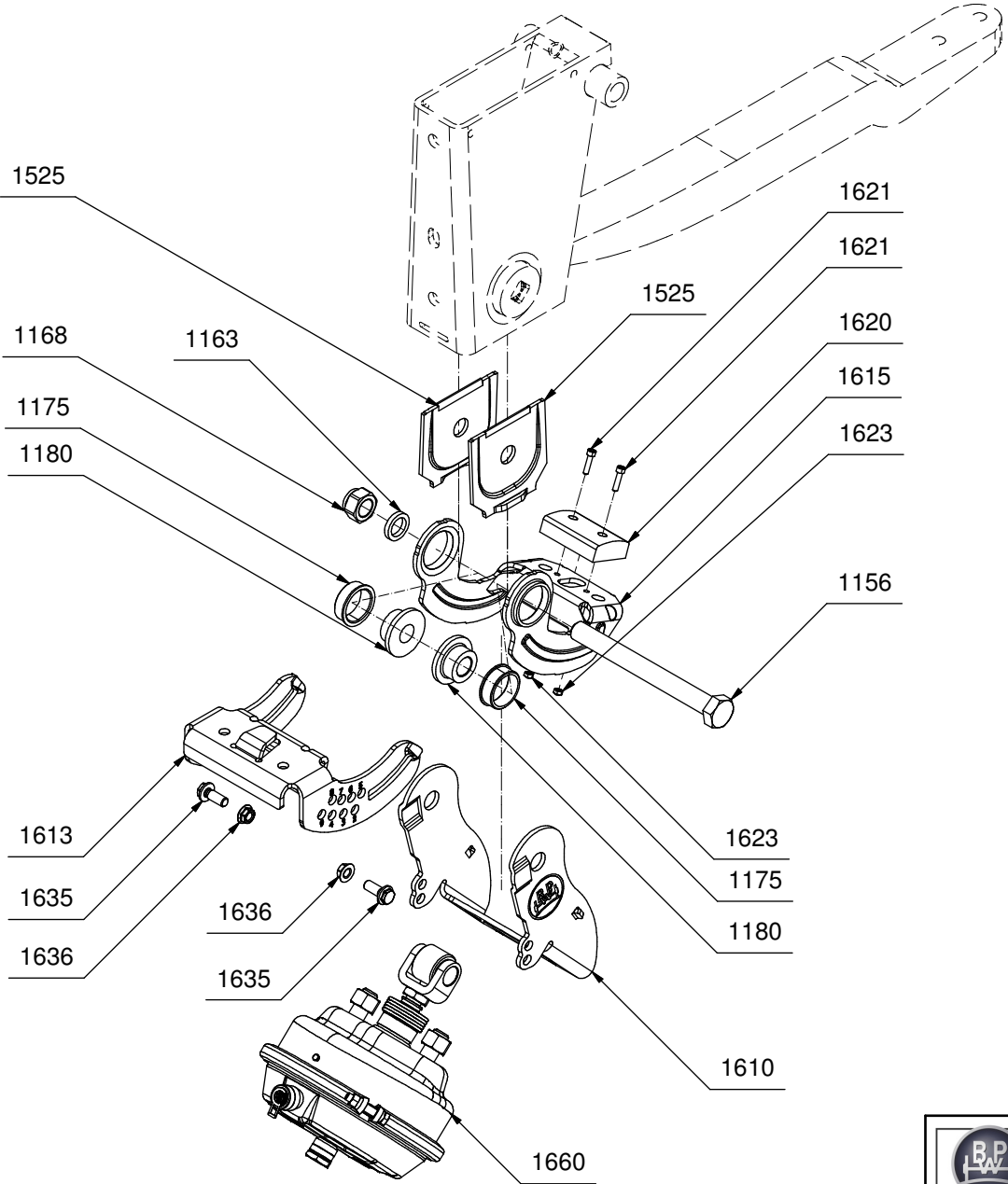


PIVOT HANGER
refer suspension axle lift drawing for details

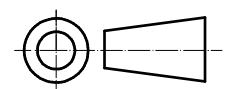
SUSPENSION SPRING
refer suspension axle lift drawing for details



Parts List			
ITEM	QTY	PART NUMBER	DESCRIPTION
1156	2	0334014260	SPRING EYE BOLT - M24 x 235
1163	2	0332030410	WASHER
1168	2	0326014130	LOCK NUT - M24
1175	4	0311304110	BUSH - NYLON
1180	4	0311300510	BUSH - ALUMINIUM
1525	4	0316435030	TAPERED WEAR PLATE
1613	2	0516546570	SHAPED PLATE
1620	2	0235060600	BUMP STOP
1621	4	0250150480	CYLINDER CAP SCREW - M6 x 25
1623	4	0252200782	LOCK-NUT M6
1635	4	0250715311	LOCKING SCREW - M12 x 30
1636	4	0252733380	LOCK NUT M12
1660	2	0544410380	BOOSTER - TYPE44/STROKE90

ITEMS TO BE PICKED			
ITEM	QTY	PART NUMBER	DESCRIPTION
1610	2	0316540480TS	SUPPORT - SHAPED PLATE
1615	2	0500534648TS	LEVER

AXLE LIFT KIT PART No. 05.801.50.50.0



UNLESS OTHERWISE STATED ALL DIMENSIONS IN MILLIMETRES.
UNLESS OTHERWISE STATED ALL TOLERANCES ARE PER:
BPW WN-1.043 & BPW WN-1.047
AVAILABLE UPON REQUEST FROM BPW TRANSPAC PTY LTD.

1 CHERRY LANE
LAVERTON NORTH, VIC. 3026
PHONE: (03)9267 2444
FAX: (03)9369 4826
www.bpwtranspec.com.au
ABN 63 006 645 272

THIS DRAWING IS COPYRIGHT AND IS THE SOLE PROPERTY OF TRANSPAC LIMITED, AND MUST NOT BE COPIED OR LOANED WITHOUT WRITTEN PERMISSION AND MUST BE RETURNED UPON REQUEST

DRAWN	CHETHAN	APPR'D		A3
DATE	23-11-2011	SCALE	NTS	

TITLE	BPW AXLE LIFT KIT
	DOUBLE SIDED AXLE LIFT TO SUIT ALL SUSPENSIONS WITH NON-ALIGNABLE HANGERS AND 70mm WIDE TRAILING ARMS
DRAWING No.	AL-09KIT
REV	